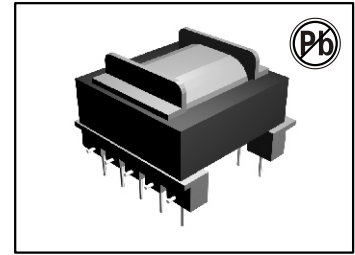


# POWER FERRITE TRANSFORMERS

## 12-24W EF20 – 3OUTPUT FLYBACK TRANSFORMERS

### FWPT EF20081 SERIES



#### FEATURES:

- Primary / Secondary Insulation  $\geq 4000V$
- Primary Auxiliary Insulation  $\geq 1500V$
- Creepage distances Primary / secondary  $\geq 8mm$

#### OPTIONS:

- Bulk packaging is standard
- Custom design available

#### COMMON APPLICATIONS:

- AC-DC converters
- DC-DC converters
- Switch Power supplies
- SMPS: Flyback, Forward and Push-pull
- SMPS: Half Bridge and Full Bridge

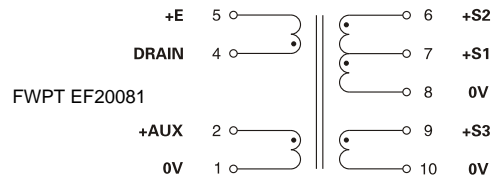
### ELECTRICAL CHARACTERISTICS

Part No.	Control IC Manufacturer	Control IC P/N	Input voltage	Power	Frequency
FWPT	Power Integrations	TOP243P	185-265 Vrms	20 w	132 kHz
EF20081	Power Integrations	TOP243P	85-265 Vrms	12 w	132 kHz

### TECHNICAL INFORMATION

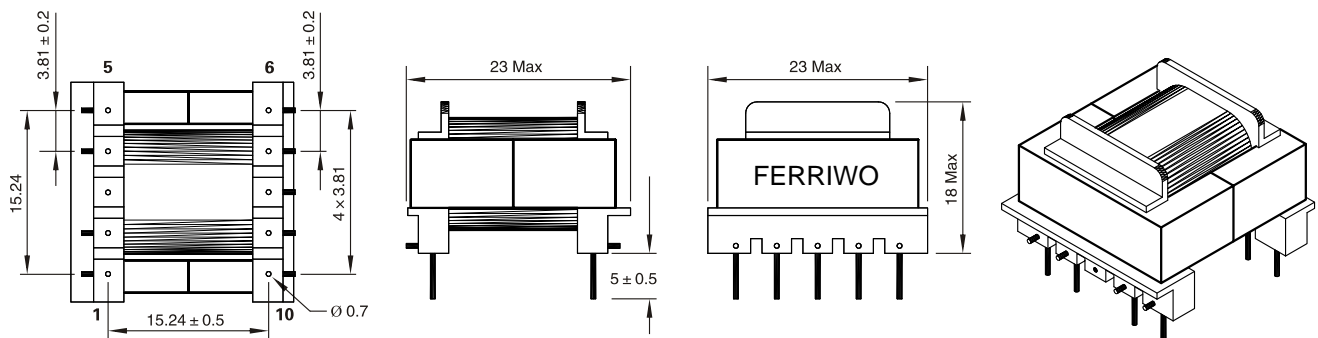
- Ambient temperature  $< 50^{\circ}C$
- Construction conforms to CEI 950, CEI 335, CEI 61558 for reinforced insulation
- Exclusively uses UL94-VO listed materials

SIZE EF20 3 OUTPUTS : 5 /5v or 12/12v – FLYBACK TRANSFORMER							
Part Number	Output Power max	Windings					
			Pins	Turns	Voltage	Current max	Inductance (+/-10%)
FWPT EF20081	20 w	Pri	4-5	80	75 (VOR)	0.9 Apeak	1100 $\mu$ H
		Aux	2-1	17	15 Vdc	0.3 Adc	
		S1	7-8	4	3.3 Vdc	3 Adc	
		S2	6-8	6	5 Vdc	sum S1+S2	
		S3	9-10	14	12 Vdc	1.3 Adc	



Note: PIN 3 Removed, PCB Drilling Diameter = 1.2mm

### PHYSICAL CHARACTERISTICS

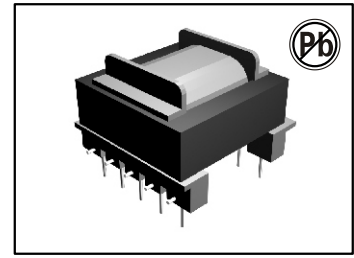


Note: All dimensions in mm

# POWER FERRITE TRANSFORMERS

## 12-24W EF20 - 2 OUTPUT FLYBACK TRANSFORMERS

### FWPT EF20080 EF20082 SERIES



#### FEATURES:

- Primary / Secondary Insulation  $\geq 4000V$
- Primary Auxiliary Insulation  $\geq 1500V$
- Creepage distances Primary / secondary  $\geq 8mm$

#### OPTIONS:

- Bulk packaging is standard
- Custom design available

#### COMMON APPLICATIONS:

- AC-DC converters
- DC-DC converters
- Switch Power supplies
- SMPS: Flyback, Forward and Push-pull
- SMPS: Half Bridge and Full Bridge

### ELECTRICAL CHARACTERISTICS

Part No.	Control IC Manufacturer	Control IC P/N	Input voltage	Power	Frequency
FWPT	Power Integrations	TOP243P	185-265 Vrms	24 w	132 kHz
EF20080	Power Integrations	TOP243P	85-265 Vrms	15 w	132 kHz
FWPT	Power Integrations	TNY268	185-265 Vrms	17 w	132 kHz
EF20082	Power Integrations	TOP243P	185-265 Vrms	20 w	132 kHz
	Power Integrations	TOP243P	85 - 265 Vrms	14 w	132 kHz

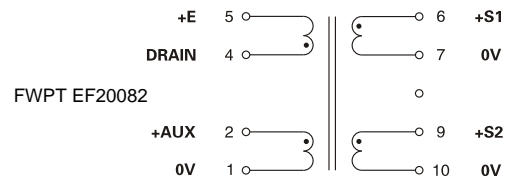
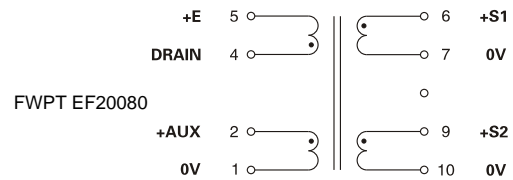
#### SIZE EF20 2 OUTPUTS : 5 /5v or 12/12v - FLYBACK TRANSFORMER

Part Number	Output Power max	Windings					
			Pins	Turns	Voltage	Current max	Inductance (+/-10%)
FWPT EF20080	24 w	Pri	4-5	86	80-135 (VOR)	1.0 Apeak	1000 $\mu$ H
		Aux	2-1	12	11- 8 Vdc	0.3 Adc	
		S1	6-7	10	9- 5 Vdc	1.5 Adc	
		S2	9-10	10	9-15 Vdc	1.5 Adc	
FWPT EF20082	20 w	Pri	4-5	86	30-135 (VOR)	0.9 Apeak	1300 $\mu$ H
		Aux	2-1	12	7-18 Vdc	0.3 Adc	
		S1	6-7	5	3-7.5 Vdc	2.0 Adc	
		S2	9-10	5	3 - 7.5 Vdc	2.0 Adc	

Note: S1 and S2 can be connected in series or in parallel

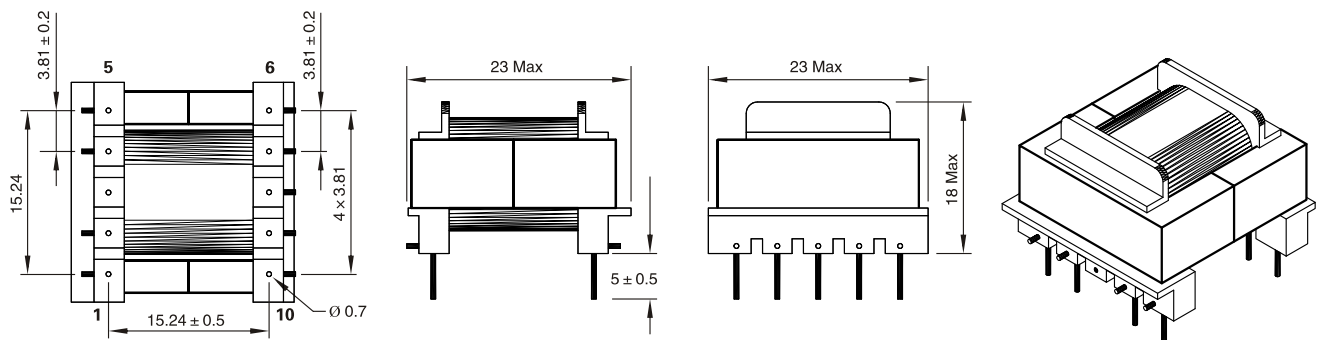
### TECHNICAL INFORMATION

- Ambient temperature  $< 50^{\circ}C$
- Construction conforms to CEI 950, CEI 335, CEI 61558 for reinforced insulation
- Exclusively uses UL94-VO listed materials



Note: PIN 3 Removed, PCB Drilling Diameter = 1.2mm

### PHYSICAL CHARACTERISTICS



Note: All dimensions in mm